



Device description

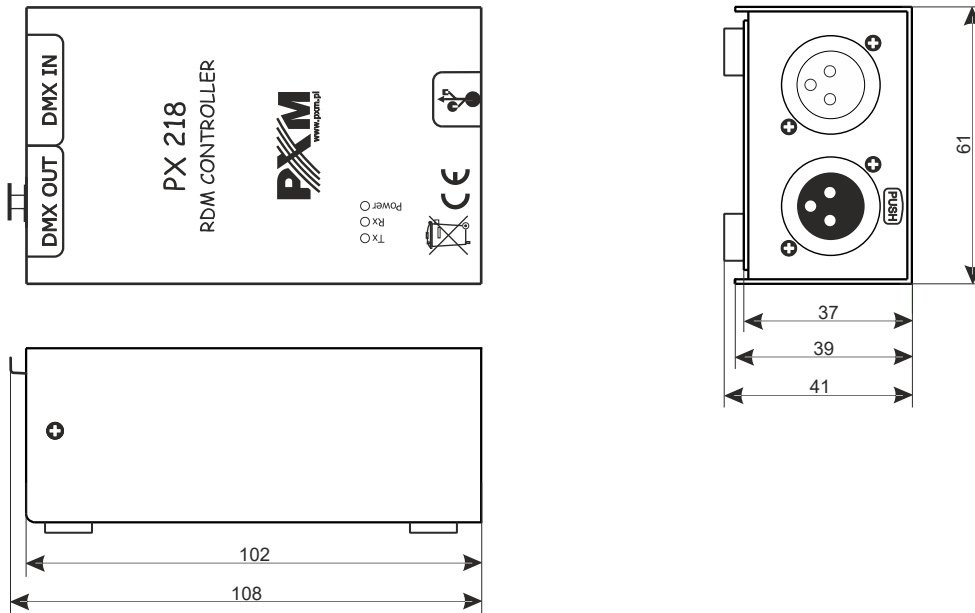
RDM Controller is a device that allows to change product parameter settings (supporting the RDM protocol) connected to extensive installations using the DMX-512 protocol.

It should be emphasized that devices with a DMX receiver may not necessarily support the RDM protocol and as a result will not work with PX218.

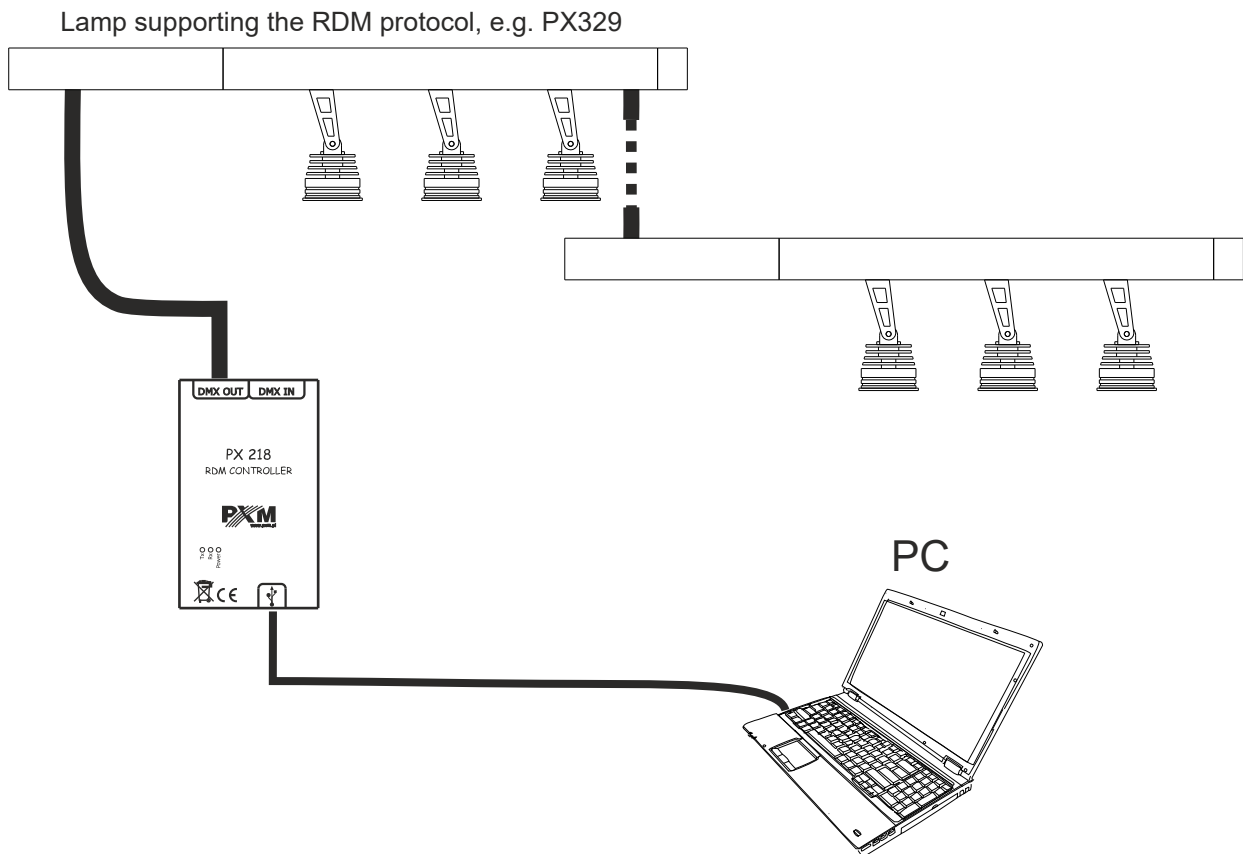
PX218 uses the RDM (Remote Device Management) protocol, which is an extension of the DMX-512 protocol, to communicate with other products. The DMX protocol is assumed to allow one-way data flow, while its extension, the RDM protocol, can send information in two directions. Thanks to this, it is possible to receive and send information, and thus the ability to monitor the operation of the devices compatible with the RDM protocol and their possible configuration of operating parameters.

The DMX-512 standard input and output are used to connect to the DMX network. PX218 operation management is carried out using the program via a USB port. The application is available for download from the manufacturer's website (pxm.pl). To power the device, all you need is power supplied from a USB port on your computer.

Technical drawing



Connection diagram



Technical data

type	PX218
power supply	5V DC (directly from the USB port)
available connectors	USB, 3-pin or 5-pin XLR slot / plug
communication with PC	yes (USB USB Mini-B interface)
weight	0.25kg
dimensions	width: 61mm height: 108mm depth: 41mm