



## Device description

Professional digital dimmer designed for fixed installations.

The device depending on the model allow to control four or two independent circuits of 600W or 1200W loads each. It has built-in interference suppression system, signal lights, fuses, DMX-512 control and 0 – 10V input. There are also external control keys available that work in accordance with one of four built-in functions.

Programmable parameters for all channels:

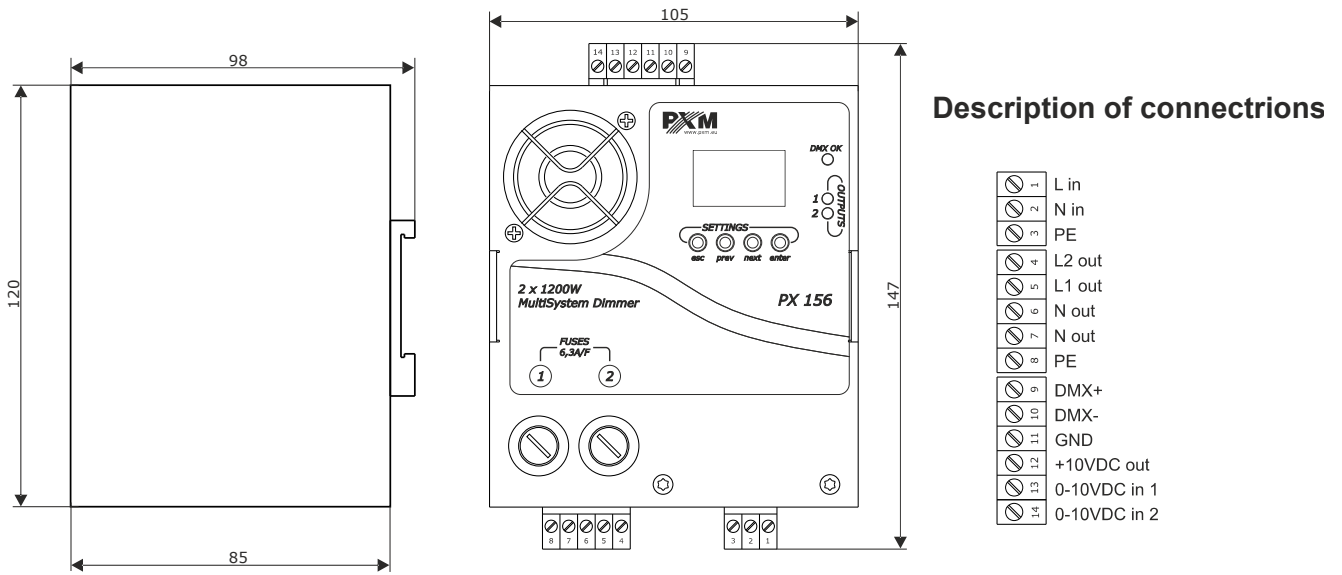
- DMX start address of the first channel
- control characteristics (linear, linear inverse, logarithmic, exponential, switched ON / OFF, three neon control characteristics)
- ACL – limiting the output voltage in the range of 50 – 230V with an accuracy of up to 1V
- Preheat – bulb preheating (0 – 10%)
- dimmer reaction to DMX signal loss (off, on 100%, slow shutdown, last DMX value, one of three scenes or one of two chasers)

Individually programmable parameters for each channel:

- DMX address (from 1 to 512) – each channel can be ascribed to a different DMX address or both channels can even have the same address
- one of eight control characteristics
- limiting the output voltage in the range of 50 – 230V with an accuracy of up to 1V

The control is possible by means of: DMX-512 digital signal, analog signals 0 – 10V or using external keys.

## Technical drawing



## Available models

PX155



PX156



Model	Output load-carrying capacity	Output protection
PX155	4 x 600W continuous load resistance 4 x 300VA continuous inductive load	Fast melting fuses 4 x 3,15A
PX156	2 x 1200W continuous load resistance 2 x 600VA continuous inductive load	Fast melting fuses 2 x 6,3A

## Technical data

---

type	PX156
power supply	230V AC
max. current consumption	10A
control inputs	digital DMX-512 signal analog 0 – 10V monostable keys
current consumption input 0 – 10V	1mA
load capacity of the control output +10V out	10mA
thermal protection	60°C – automatic launch of electronically controlled fan 90°C – output power decrease by 10% 100°C – automatic dimmer shutdown
noise emitted by the dimmer at a distance of 15cm from the device	45dB (with 30 – 40% control)
weight	1.1kg
dimensions	width: 105mm height: 147mm depth: 98mm