



Discreet and Silent Powerhouse !

PROFILE FIXTURE

MINI TWINLED



The **MINI TWINLED** profile fixture is a powerful, yet compact LED fixture designed for professional, architectural and museum lighting. Its light quality, features and functionalities are identical to high end professional light fixtures typically used in theaters and on stages.

The design focuses on being the smallest and most convenient package for a powerful light, with high level of light quality in sharpness and in color rendition. It is discreet, very easy to set up and use, and requires little to no maintenance. The fixture is totally silent.

Its high level of light quality makes it perfect for outlining objects or parts that one wants to display or enhance. It is used much like a theater fixture with shutters to frame the light field. The softness or crispness of the light edge is controlled through a focus setting. Light level controlled through an integrated dimmer. A DMX 512 option is available.

Standard color: black, white and grey available as options

Light brightness equivalent to a 75W halogen fixture*

Color temperature: 3000K (CRI 90), 4000K (CRI 90)**

Consumption: only 30W

Power supply: 180/240 VAC 50/60Hz

Weight: 1,86 kg

Light beam zoom angle: 18°/41°

Included equipment: 0,5 m power cord, 4 straight shutters

Option: Gobo holder, rail adaptor, US model, Japanese model, DMX512 model

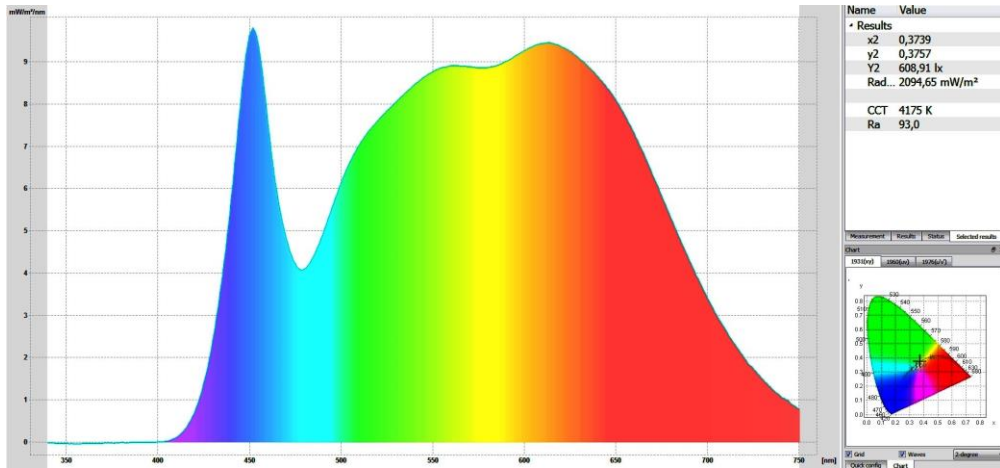
* Equivalent power is an approximate data for indication only, **other color temperature upon request.

MINI TWINLED PROFILE features:

- Silent
- Hot connect/disconnect locking power connectors (rail adaptor version)
- Local control by a potentiometer located at the back (dimmer)
- DMX 512 version (option)
- Zoom and focus setting with sliding side knobs
- Fully (360°) rotating zoom, 18/41°
- Gobo display (E size) with optional holder



4000K version photometric datasheet:



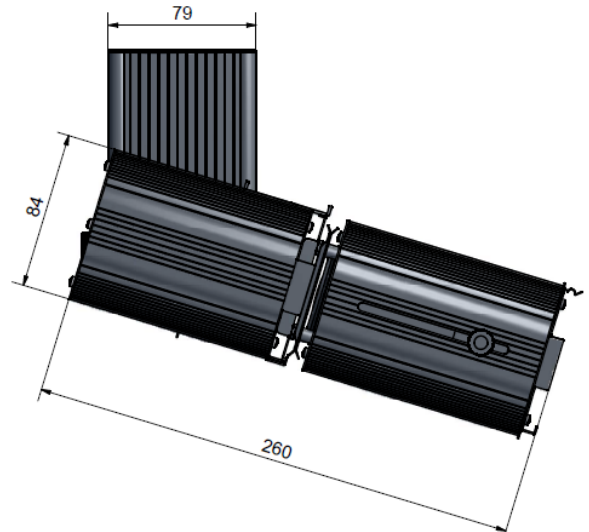
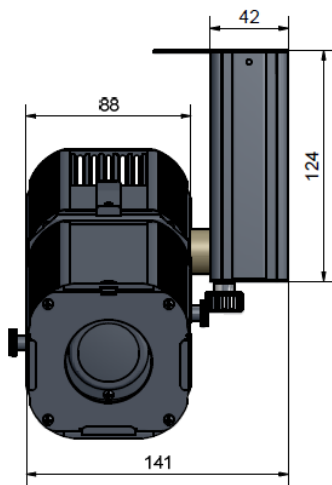
18°

m	1	2	3	4
Lux	9850	2230	910	495
m Ø	0,32	0,58	0,9	1,2

41°

m	1	2	3	4
Lux	2820	740	300	170
m Ø	0,74	1,5	2,3	3,2

Dimensions without DMX512 option (mm):



This device is designed to operate on any private or public supply network standard NF EN 50160, intended for professional use. © 2016 . Minitwinled_profile_uk_ft03_220317. RVE SAS reserves the right to make any change in design or construction to the equipment described without prior notification.